



49X-6RZ

TRUCK-MOUNTED CONCRETE PUMP

Placing boom	B6RZ 49
Pumping unit	PU1808
Driven by	Gearbox PTO
Chassis	8x4

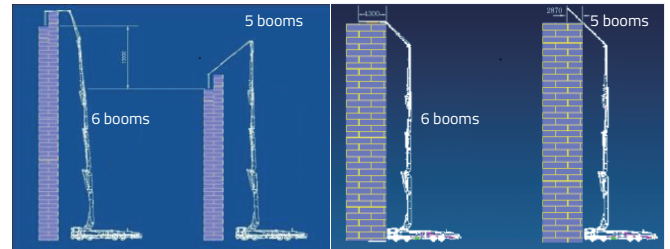


Technical Specification

BOOM B6RZ 49		
Maximum vertical reach	m	48.6
Maximum horizontal reach (from center of slewing axis)	m	43.6
Maximum depth reach	m	34.6
Minimum unfolding height	m	12.9
Section numbers		6
Boom type		RZ
Pipeline diameter	mm	125
PUMP PU1808		
Maximum theoretical output	m ³ /h	180
Maximum theoretical pressure on concrete	bar	113
Concrete cylinders (diam. × stroke)	mm	260 × 2100
Hydraulic circuit		Closed
CHASSIS		
Chassis brand	m ³ /h	Benz
Engine power	kW	300
Emission standard		Euro 5

Product Highlight

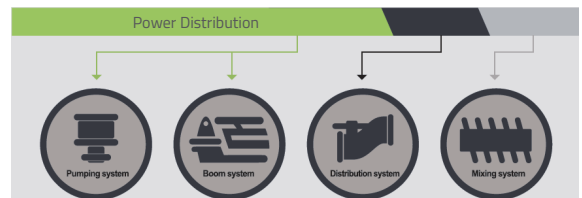
- High Effective: 6-sections boom technology



Placing height 13m higher

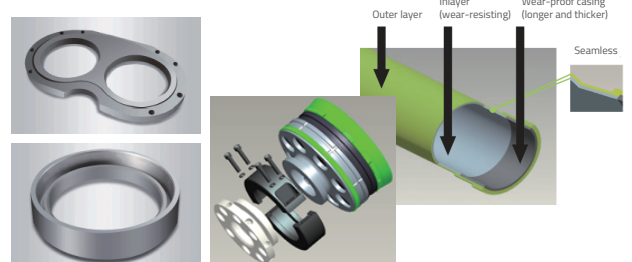
Placing range 50% larger

- Energy saving



The 4th self-adaptive variable power technology saves fuel by 10%.

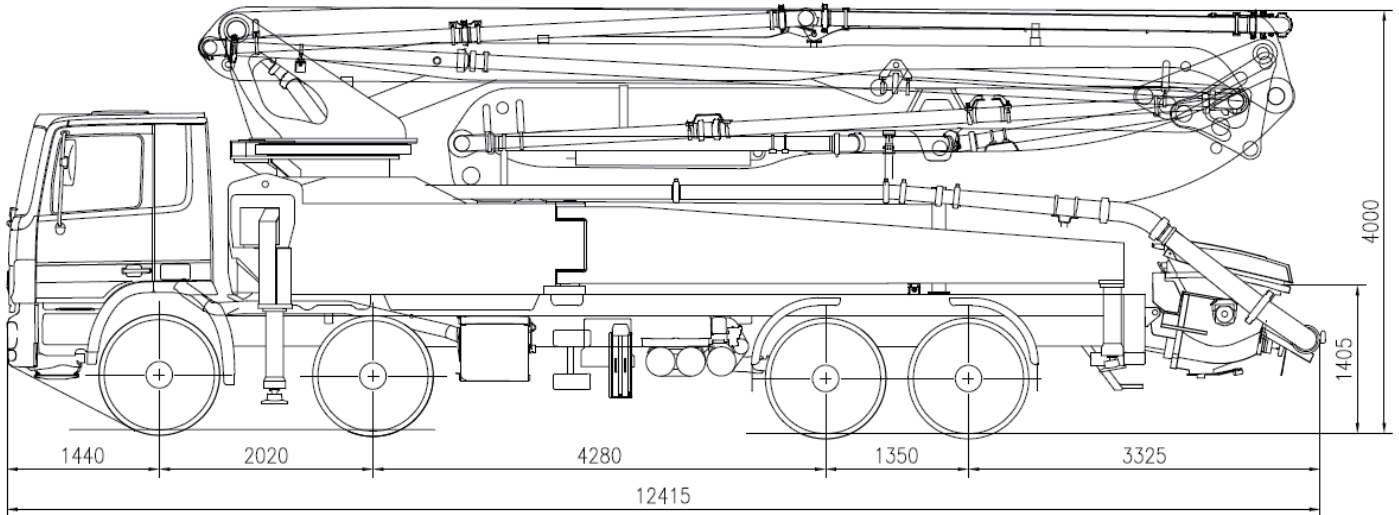
- Low Maintenance Cost



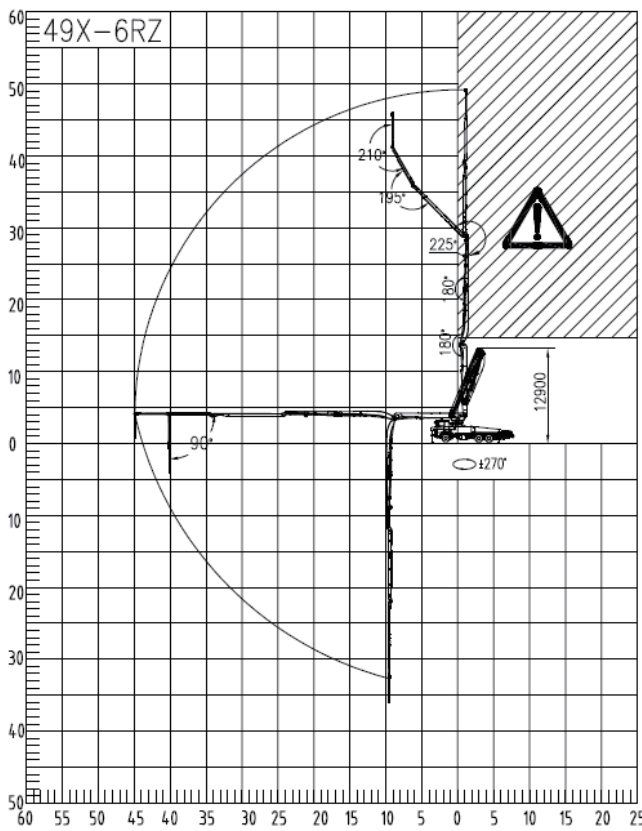
Wearing parts have long service life.



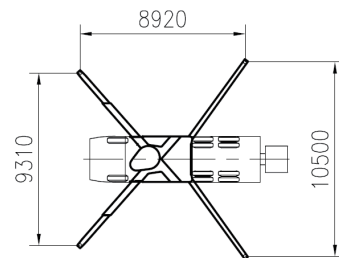
49X-6RZ



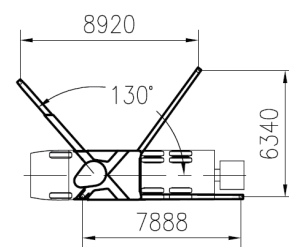
Note: Dimensions depend on truck.
Dimensions in mm.



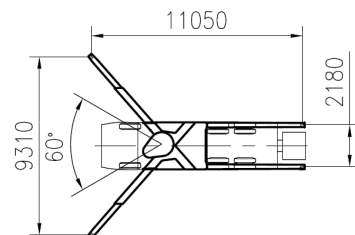
! : Range in which forbid to work.



Full support



One side support



Front support

